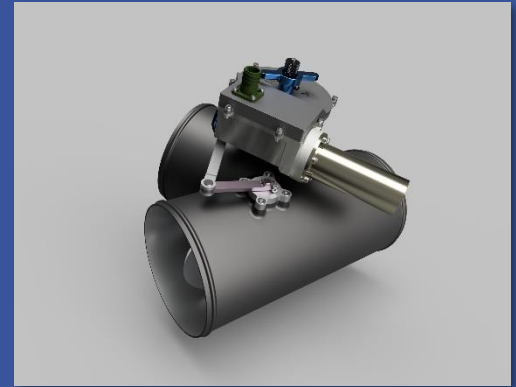


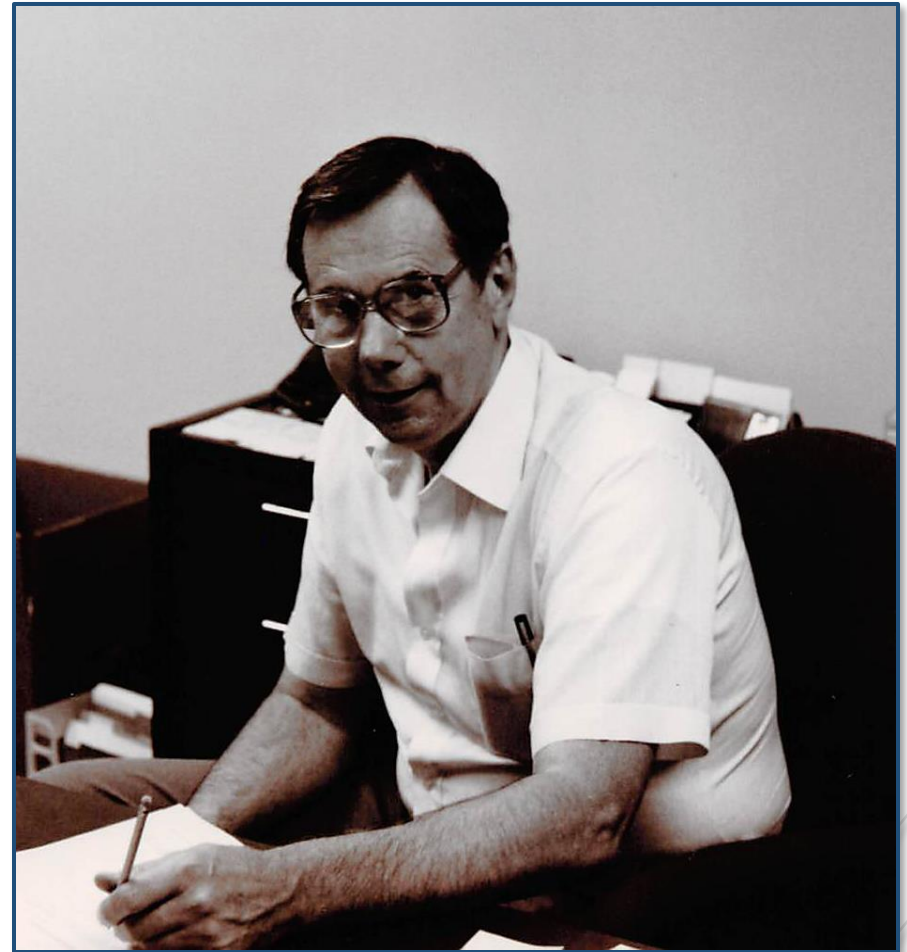
Aerospace Systems & Components, Inc.

2025 Capabilities Overview



About ASC

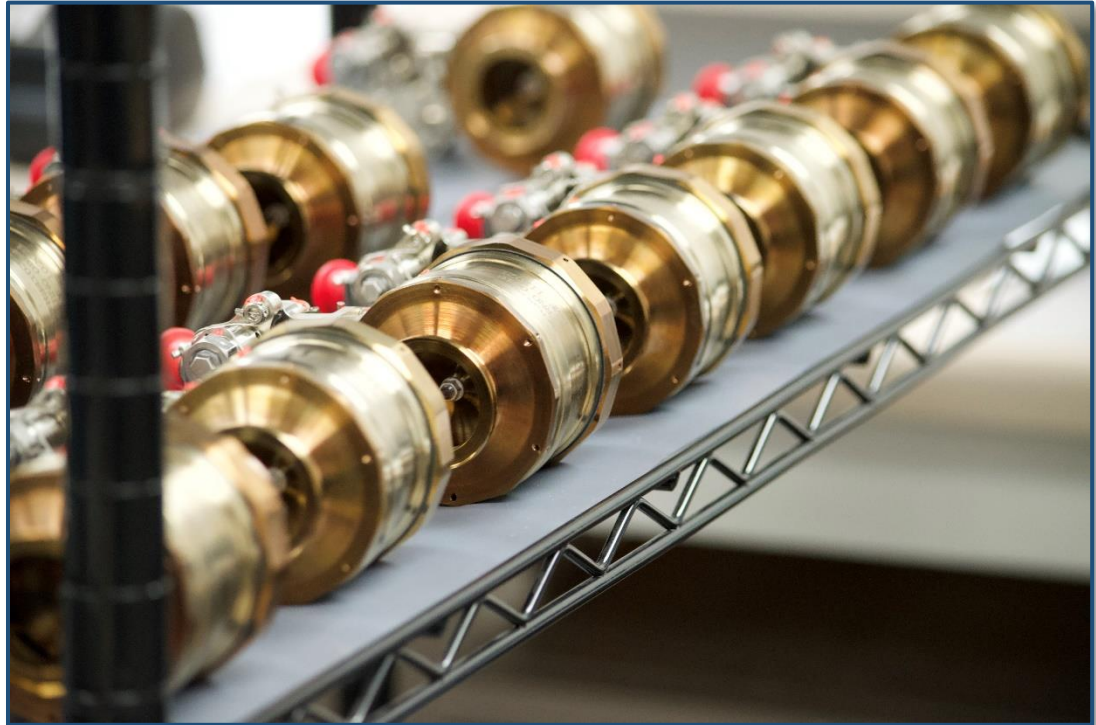
- Founded in 1969 by Charles Peer
- Subsidiary of Great Plains Ventures, Inc., Wichita, Kansas, USA.
- Sister Companies:
 - Great Plains Industries, Inc. – Agricultural Chemical Pumps/Meters
 - PowderTech – Powder Coating Services
 - Ventures Park, Inc. – Industrial Development Park
- 58,000 square foot facility
- 115 full time employees



Company Capabilities

ASC prides itself in being a one-stop shop

- Concept
- Design
- Build
- Test
- Qualify
- Deliver



Product Lines

- **Pneumatic Valves:**

- Shutoff Valves
- Pressure Regulating Valves
- Modulating Valves
- 3-Way & 6-Way Solenoid Valves
- Check Valves

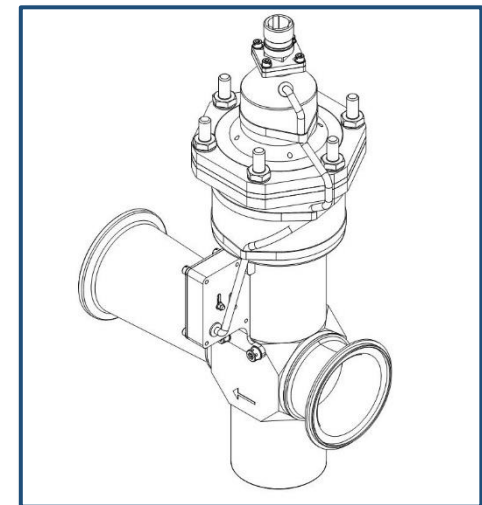
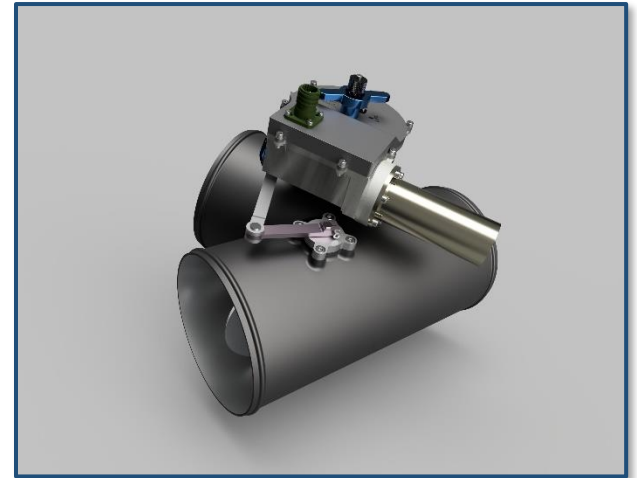
- **Other Products:**

- Thermal Actuators
- Pneumatic Filters
- Flow Restrictors
- Pneumatic Actuators
- Relief Valves



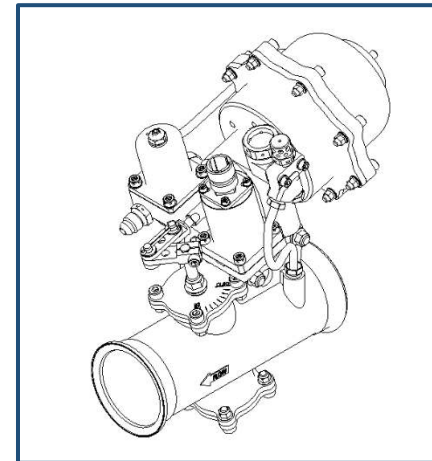
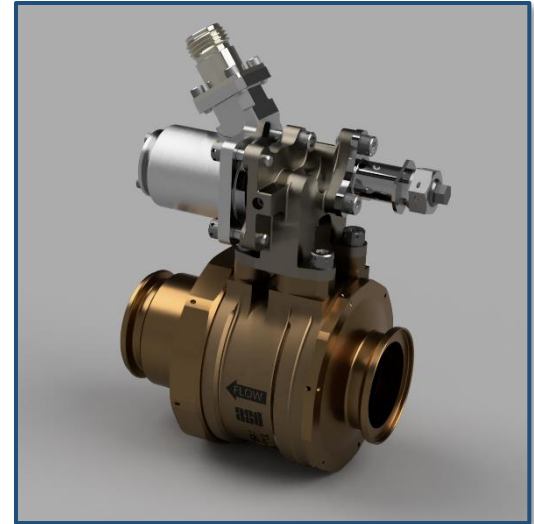
Shutoff Valves

- Aluminum and Stainless Steel
- 0.25 inch to 12.0 inch (0.63 cm to 31 cm) Line Sizes available
- Flow Media: Air
- Pressures to 566 PSIG (39 BAR)
- Fluid Temperatures to 900°F (482°C)
- Ambient Temperatures to 275°F (135°C)
- Manually Operated or Solenoid Operated (13 to 32 VDC)
- Extremely low Pressure Drop and Internal Leakage (Gate type)
- Normally Open or Normally Closed
- Poppet, Gate or Butterfly styles are available
- Solenoid Direct, Pneumatic, Thermal, or Motor-Operated options



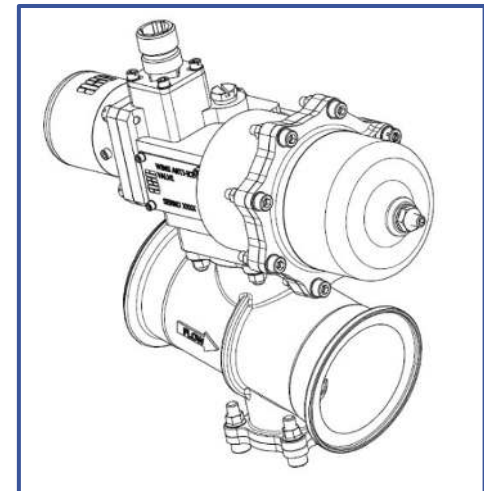
Pressure Regulating Shutoff Valves

- Aluminum, Stainless Steel, and Inconel
- 0.63 inch to 2.5 inch (1.6 cm to 6.35 cm) Line Sizes available, Larger Possible
- Flow Media: Air
- Inlet Pressures to 380 PSIG (26 BAR)
- Regulated Pressures 10 to 68 PSIG (0.7 to 4.7 BAR) or as needed
- Fluid Temperatures to 1035°F (557°C)
- Ambient Temperatures to 350°F (149°C)
- Solenoid Operated for Shut-off or Bi-level (13 to 32 VDC)
- Flows to 170 LB/MIN (80 KG/MIN)
- Canted Axis Butterfly or Inline Sleeve types available
- Pressure Regulation with Integral or Downstream Sense



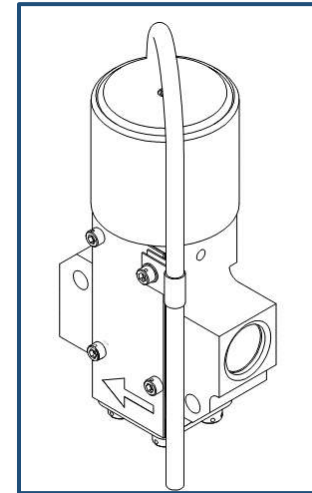
Modulating Valves

- Aluminum, Stainless Steel, and Inconel
- 1.0 inch to 4.0 inch (2.5 cm to 10 cm) Line Sizes are Available with Larger Sizes Possible
- Flow Media: Air
- Inlet Pressures to 120 PSIG (8.3 BAR)
- Fluid Temperatures to 850°F (454°C)
- Ambient Temperatures to 300°F (149°C)
- Servo Operated (0-100 mA or 0-140 mA analog or PWM inputs)
- Motor Operated (Brush, Brushless, Stepper) are possible
- Controller can be Internal or External
- Optional Position Feedback (Discrete or Continuous)
- Canted Axis Butterfly or Inline Sleeve types available
- Straight Axis Butterfly Possible for shortest Flange to Flange Length



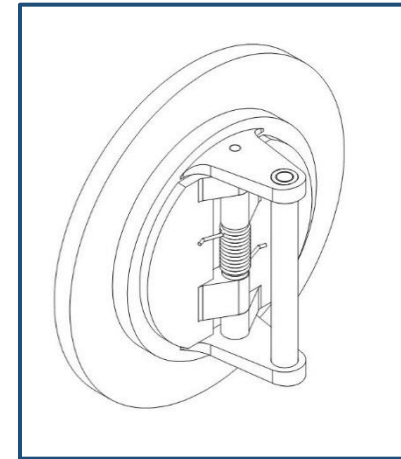
3-Way & 6-Way Solenoid Valves

- Aluminum and Stainless Steel
- Dash 3 to Dash 6 Line Sizes available
- Flow Media: Oxygen, Air, Fuel
- Pressures to 3100 PSIG (214 BAR)
- Fluid Temperatures to 550°F (288°C)
- Ambient Temperatures to 250°F (121°C)
- Solenoid Operated (10 to 32 VDC)
- Three and Six Way; Two Position
- Soft and Hard Seat
- Balanced Spool available
- Normally Open or Normally Closed



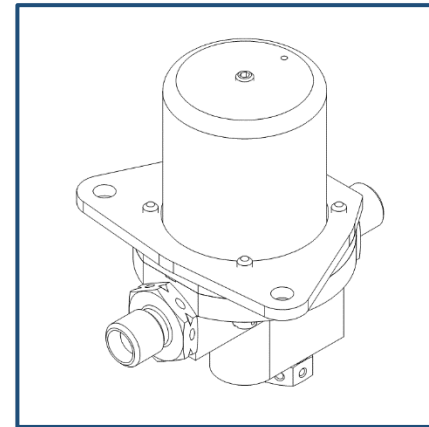
Check Valves

- Aluminum, Stainless Steel, and Inconel
- 1.0 inch to 7.5 inch (2.5 cm to 19 cm) Line Sizes available
- Pressures to 535 PSIG (37 BAR)
- Temperatures to 1200°F (649°C)
- Cracking Pressures below 0.4 inch H₂O (0.001 BAR)



Other Products

- Thermal Actuators
- Pneumatic Filters
- Flow Restrictors
- Pneumatic Actuators
- Pressure Relief Valves
- Pressure Regulating Valves

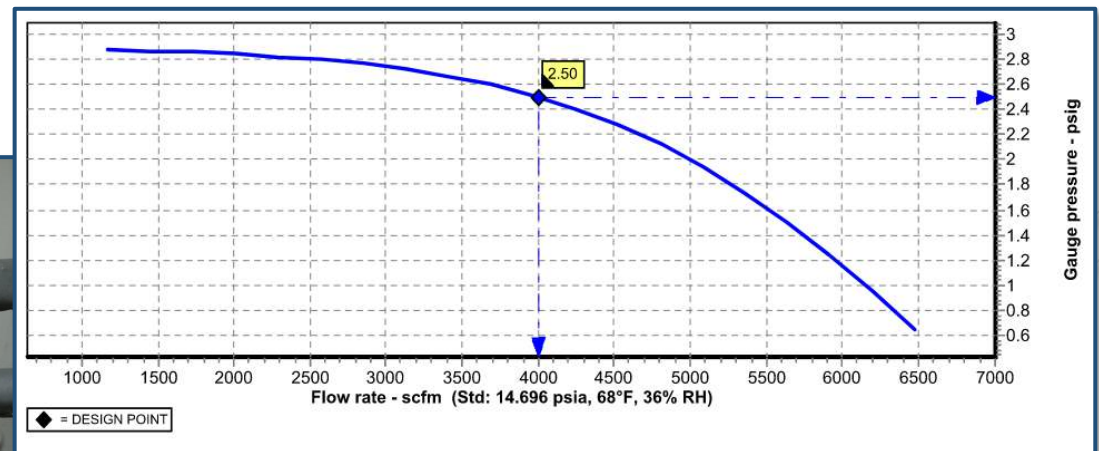
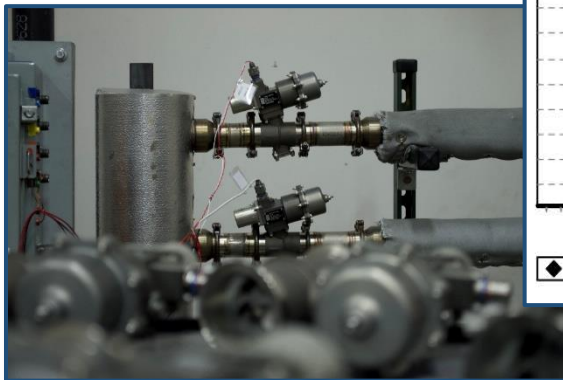


Test Facilities

ASC's Engineering Lab can simulate gas turbine bleed air conditions to rigorously test aircraft pneumatic valves.

- High Pressure/High Temperature Testing: Up to 36 LB/MIN @ 580 PSIG and 1200°F
- High Flow Bleed Air Testing: Up to 100 LB/MIN @ 330 PSIG and 950°F
- High Flow Fan Air Testing: Up to 300 LB/MIN @ 2.5 PSIG
- Hot Chambers: Up to + 650°F ambient

- Environmental Chamber Testing: -68°C to + 177°C ambient, 10 to 95% RH Humidity, 100k FT Altitude
- Contaminated Air Testing to Various Criteria (Typical: MIL-E-5007 / SAE ARP 986C)
- HALT/HASS Chamber: -70°C to 180°C, Heating 8°C/MIN, Cooling 5°C/MIN, 75 gRMS
- Vibration Table: UDC 7,500 LBF, 3-axis, 28" x 28"



Quality Program

- ISO 9001:2015 + AS9100 Rev D.
- Registered: March 27, 2003.
- Current Certification Date: March 24, 2024.
- Certification Expiration Date: March 23, 2027.
- Certifying Agent – ISOQAR, Inc.



Accreditations & Recognitions

- FAA Repair Station No. OI2R058L (issued May 26, 1978).
- EASA Repair Station EASA.145.4062 (issued July 22, 2024).

UNITED STATES OF AMERICA
DEPARTMENT OF TRANSPORTATION
FEDERAL AVIATION ADMINISTRATION

Air Agency Certificate

Number OI2R058L

This certificate is issued to
AEROSPACE SYSTEMS AND COMPONENTS, INC.,
whose business address is
5201 E. 36 ST. N.
WICHITA, KANSAS

upon finding that its organization complies in all respects
with the requirements of the Federal Aviation Regulations
relating to the establishment of an Air Agency, and is
empowered to operate an approved REPAIR STATION

with the following ratings:
LIMITED ACCESSORY

This certificate, unless canceled, suspended, or revoked,
shall continue in effect INDEFINITELY.

My direction of the Administrator
Date issued: MAY 26, 1978
REISSUED MAY 9, 1997
FELIX L. LOCCO
MANAGER, ACE-PSDD-07

This Certificate is not transferable, nor can it be used in any other country, or in the location named. It shall be immediately reported to the appropriate regional office of the Federal Aviation Administration.

Any alteration of this certificate is punishable by a fine of not exceeding \$1,000, or imprisonment not exceeding 3 years, or both.

FAA Form 8000-4 (1-07) SUPPLEMENTARY FAA FORM 910

 EASA
EUROPEAN UNION AVIATION SAFETY AGENCY

U.S. APPROVAL CERTIFICATE

EASA.145.4062

Taking into account the provisions of Article 68 of Regulation (EU) 2018/1159 of the European Parliament and of the Council and the bilateral agreement currently in force between the European Community and the Government of the United States of America, the European Union Aviation Safety Agency (EASA) hereby certifies:

AEROSPACE SYSTEMS & COMPONENTS, INC.
FAA Number: OI2R058L
5201 EAST 36TH STREET NORTH
67220 WICHITA KANSAS
UNITED STATES

as a Part-145 maintenance organization approved to maintain the products listed in the FAA Air Agency Certificate and associated Operations Specifications and issue related certificates of release to service using the above reference, subject to the following conditions:

1. The scope of the approval is limited to that specified on the 14 CFR part 145 repair station Air Agency Certificate, and the associated Operations Specifications for work carried out in the United States (unless otherwise agreed in a particular case by EASA).
2. The approval scope shall not exceed the permitted EASA Part-145 ratings as detailed in Regulation EC (No) 1321/2014.
3. This approval requires continued compliance with 14 CFR part 145 and the differences as specified in the Maintenance Annex Guidance (MAG), including the use of the FAA Form 8130-3 for release/return to service of components up to and including power plants.
4. Certificates of return to service must quote the EASA Part-145 approval reference number quoted above and the 14 CFR part 145 Air Agency Certificate number.
5. Subject to compliance with the foregoing conditions, this approval shall remain valid until:

31 July 2026

unless the approval is surrendered, superseded, suspended or revoked.

Date of issue: 22 July 2024

Signed: 

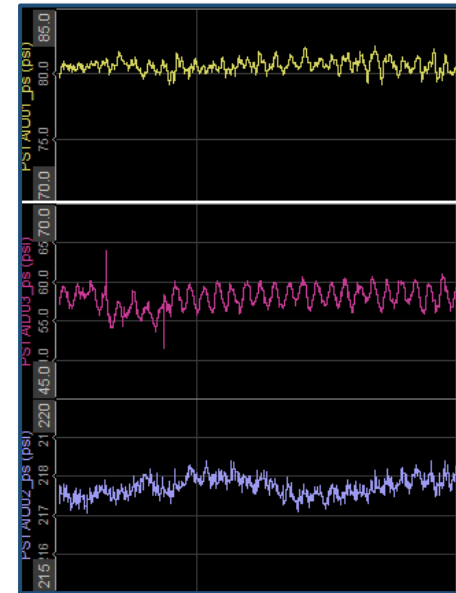
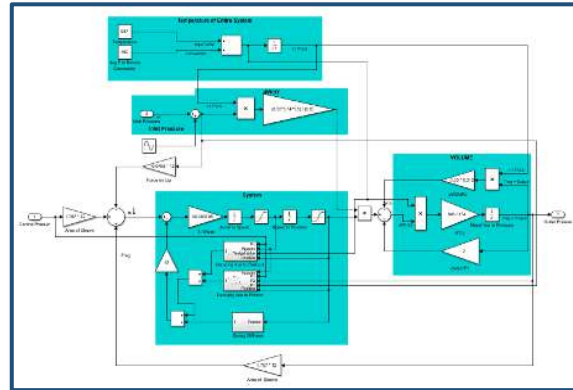
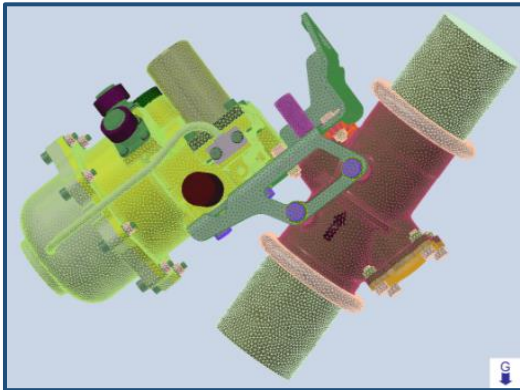
For the European Union Aviation Safety Agency

 EASA Form 7 - (EU) - U.S. Approval Certificate (Rev.1)
Page 1 of 1



Computer Systems

- ERP System – Infor CSI 10: Integrated Manufacturing / Accounting Systems.
- CAD System – AUTODESK Inventor / AutoCAD.
- AUTODESK NASTRAN Finite Element Analysis.
- AUTODESK Simulation CFD Computational Fluid Dynamics.
- CNC Programming Software – MasterCam.
- Matlab+Simulink System Modeling.



Fully Resourced Engineering Team



Brian W Brown
Chief Engineer



Randy L Klassen
Engineering Manager



Caleb J Brown
Sales Engineer



Jade Thomas
Programs Manager



Paige Peer
Program Coordinator

New Product Development



Alex M Danler
Project Engineer



Arnold R Maghema
Project Engineer



Beth Dalton
Project Engineer



Ian S McCalmon
Project Engineer



Joshua J Ruhl
Project Engineer

Sustaining



Max E Davy
Sustaining Engineer



Cameron D Diaz
Reliability Engineer



Kurt R Wolf
Design Drafter



Alex C Moreno
Engineering Assistant



Customers



Connect With Us



www.asc-aero.com



www.facebook.com/ASC.ICT



www.linkedin.com/company/aerospace-systems-and-components

